

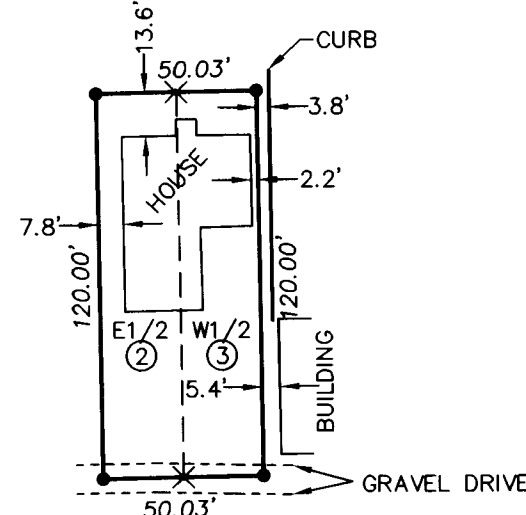
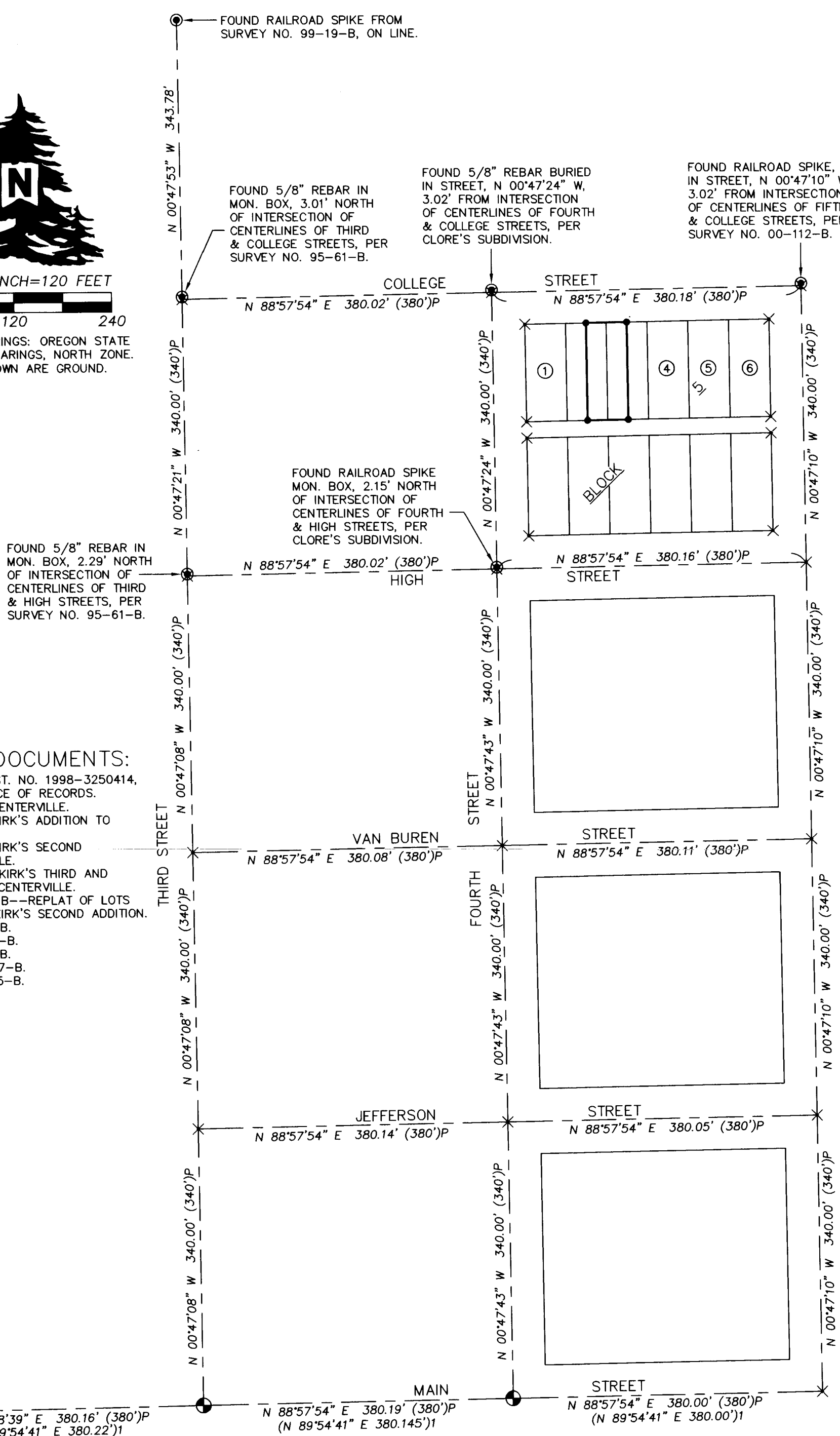
# RECORD OF SURVEY



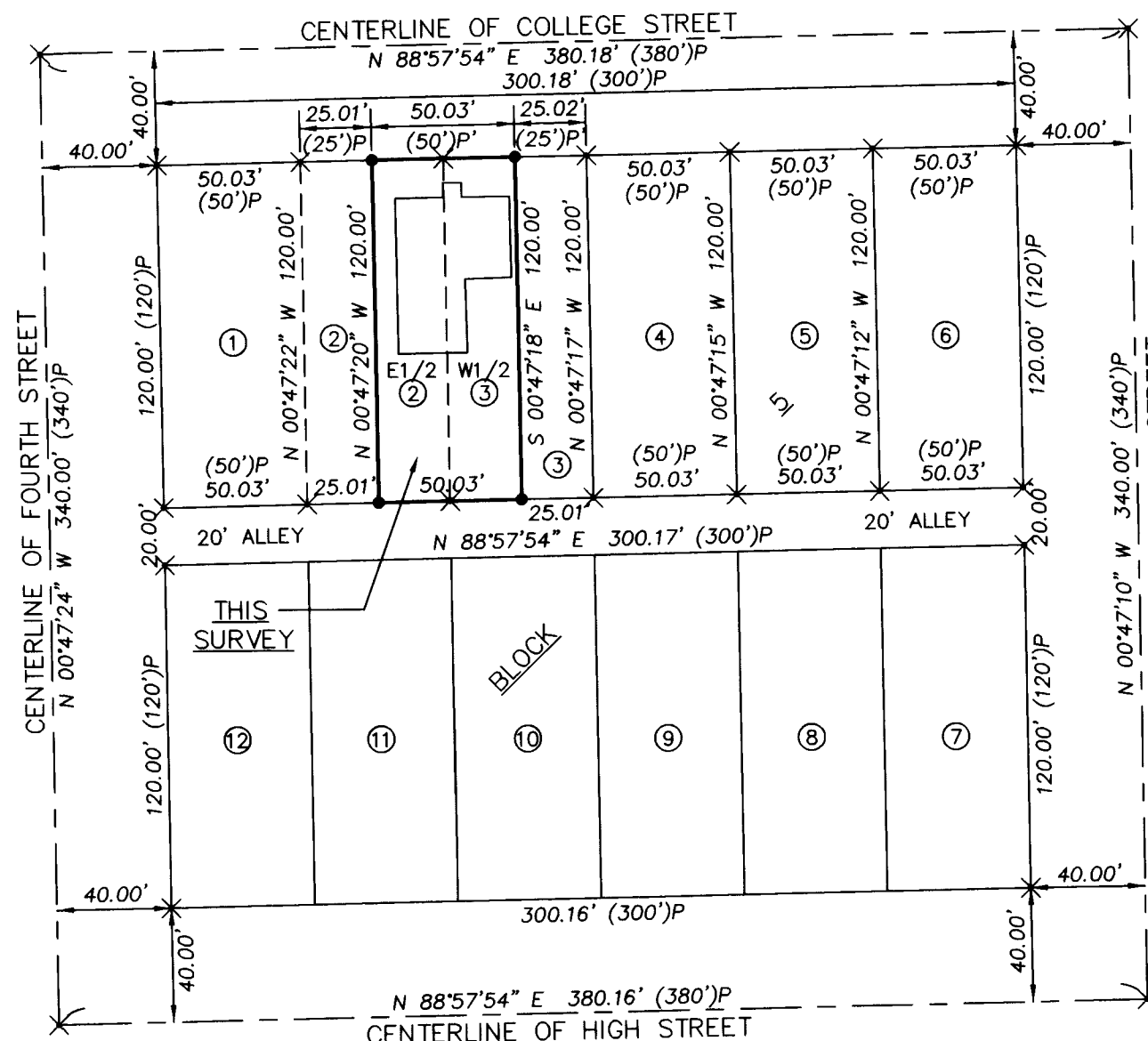
SCALE: 1 INCH=120 FEET

0 60 120 240

BASIS OF BEARINGS: OREGON STATE PLANE GRID BEARINGS, NORTH ZONE. DISTANCES SHOWN ARE GROUND.



SURVEYED PROPERTY  
DETAIL  
SCALE: 1 INCH = 60 FEET



DETAIL OF BLOCK 5,  
KIRK'S SECOND ADDITION.  
SCALE: 1 INCH = 60 FEET

NOTE:  
1. THE RECORD PLAT DIMENSIONS FOR LOTS IN BLOCK 5, KIRK'S SECOND ADDITION TO THE TOWN, NOW CITY OF ATHENA, ARE 50 FEET EAST-WEST AND 120 FEET NORTH-SOUTH.  
2. THE ABOVE LINES INDICATE THE PLATTED LOT LINES IN BLOCK 5. EXISTING OWNERSHIP LINES MAY NOT CORRESPOND WITH PLATTED LOT LINES.

## LEGEND

- - SET 5/8 BY 24 INCH REBAR WITH BLUE PLASTIC CAP MARKED "WELLS SURVEYING 54657PLS".
- ⊙ - MONUMENT FOUND AS NOTED.
- ⊗ - COMPUTED POINT ONLY, NOT SET OR FOUND.
- ⊕ - FOUND 1 INCH COPPER DISK IN MONUMENT BOX PER SURVEY NO. 14-027-B.
- (XOX)P - RECORD DIMENSION PER OLD ORIGINAL PLATS.
- (XOX)1 - RECORD DIMENSION REPORTED ON SURVEY NO. 21-045-B.
- ② - INDICATES LOT NUMBER IN BLOCK 5 OF KIRK'S SECOND ADDITION.

## NARRATIVE

THIS BOUNDARY SURVEY WAS MADE AT THE REQUEST OF NICHOLE MURTAUGH TO SURVEY AND MONUMENT THE BOUNDARY OF THAT PROPERTY DESCRIBED BY WARRANTY DEED RECORDED AS INSTRUMENT NO. 1998-3250414, UMATILLA COUNTY OFFICE OF RECORDS. THE SURVEYED PROPERTY IS DESCRIBED AS THE EAST HALF OF LOT 2 AND THE WEST HALF OF LOT 3, BLOCK 5, KIRK'S SECOND ADDITION.

I LOCATED AND TIED THE MONUMENTS SHOWN ON THE CONTROL DIAGRAM, HOLDING THE FOUND MONUMENTS NORTH OF THE MAIN STREET CENTERLINE FOR NORTH-SOUTH ALIGNMENT OF STREET CENTERLINES. AS EXPLAINED ON THE CITY OF ATHENA SUBDIVISION REPORT DATED APRIL 14, 2011, THE MONUMENTS NORTH OF MAIN STREET, DEPICTED ON THE CONTROL DIAGRAM, WERE ALL ESTABLISHED BY DWIGHT BARTLESON, PLS 2166. THESE BARTLESON MONUMENTS WERE SET BY PROPORTIONAL MEASUREMENT BETWEEN THE ACCEPTED MONUMENTS IN MAIN STREET AND CERTAIN ACCEPTED MONUMENTS IN SHERMAN STREET. BARTLESON'S PROPORTIONING METHOD IGNORES ALL RECORD SURVEYS MADE PRIOR TO 1994, WHERE RECORD PLAT DIMENSIONS WERE HELD FOR PLATTED LOTS AND BLOCKS BETWEEN MAIN STREET AND WASHINGTON STREETS. MY SURVEY HOLDS RECORD PLAT DIMENSIONS OF 340.00 FEET BETWEEN STREET CENTERLINES NORTH OF MAIN STREET, BUT HOLDS THE BARTLESON MONUMENTS FOR NORTH-SOUTH ALIGNMENT OF STREET CENTERLINES. SEE THE CITY OF ATHENA SUBDIVISION REPORT FOR ADDITIONAL INFORMATION.

THIS BOUNDARY SURVEY WAS MADE WITH A LEICA GEODETIC GPS RECEIVER CONNECTED TO THE OREGON REAL TIME CORRECTION NETWORK. CONTROLLING CORNERS AND NEW CORNER MONUMENTS SET WERE VERIFIED BY REDUNDANT GPS MEASUREMENTS.

## REFERENCE DOCUMENTS:

1. WARRANTY DEED, INST. NO. 1998-3250414, UMATILLA COUNTY OFFICE OF RECORDS.
2. ORIGINAL PLAT OF CENTERVILLE.
3. ORIGINAL PLAT OF KIRK'S ADDITION TO CENTERVILLE.
4. ORIGINAL PLAT OF KIRK'S SECOND ADDITION TO CENTERVILLE.
5. ORIGINAL PLATS OF KIRK'S THIRD AND FOURTH ADDITIONS TO CENTERVILLE.
6. SURVEY NO. 95-61-B--REPLAT OF LOTS 11 AND 12, BLOCK 6, KIRK'S SECOND ADDITION.
7. SURVEY NO. 99-19-B.
8. SURVEY NO. 00-112-B.
9. SURVEY NO. 11-65-B.
10. SURVEY NO. 14-027-B.
11. SURVEY NO. 21-045-B.

RECEIVED BY

Umatilla County Surveyor  
Date: 4/24/25  
Rec'd By: CT  
No.: 25-037-B

REGISTERED  
PROFESSIONAL  
LAND SURVEYOR

*Jason M. Wells*  
OREGON  
NOVEMBER 29, 2010  
JASON M. WELLS  
54657PLS  
RENEWS 6/30/26

WELLS SURVEYING  
200 SE HAILEY SUITE 108  
P.O. BOX 1696  
PENDLETON, OR 97801  
PHONE: (541) 276-6362

DATE: 04/25 DR. BY: WRW  
CK. BY: JMW NO: 25-1896

PROJECT: MURTAUGHND

RECORD OF SURVEY  
FOR:  
NICHOLE MURTAUGH

E1/2 OF LOT 2 & W1/2 OF LOT 3  
BLOCK 5, KIRK'S SECOND ADDITION  
TO THE TOWN, NOW CITY OF ATHENA

SITUATED IN THE NW1/4 OF SECTION 19,  
T4N., R35E., W.M., UMATILLA COUNTY, OREGON